

DISC CAROUSEL WITH A SEAT

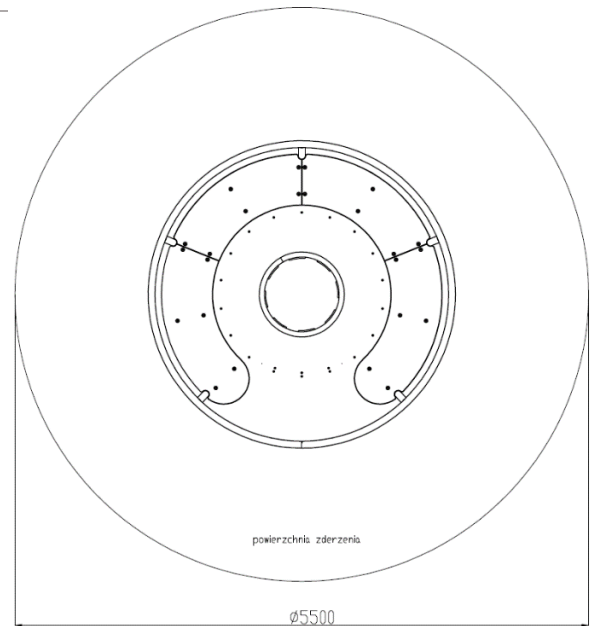
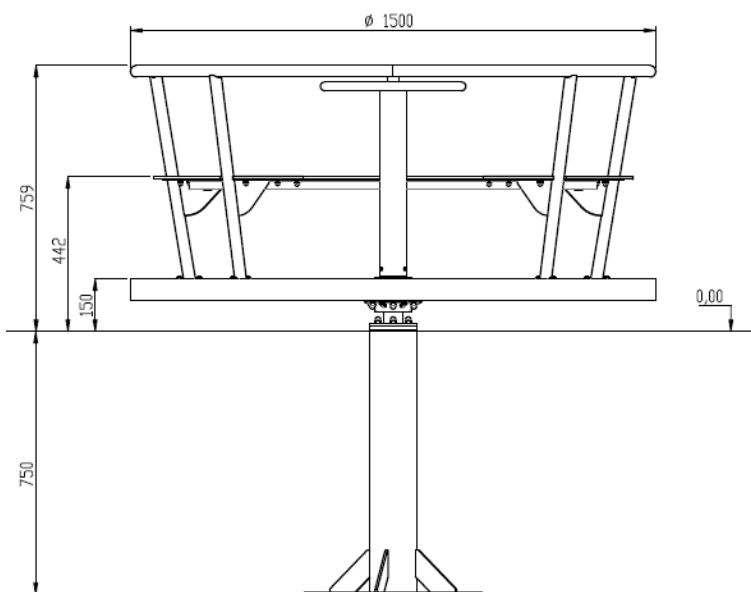
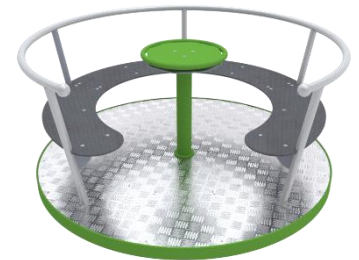
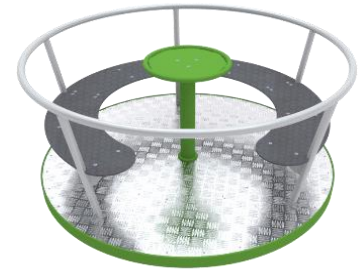
TYPE: CLOSED/ OPEN

SYMBOL: CTR-01 / CTR-02

(with rifled aluminium floor)

Technical specification:

LENGTH:	1500 mm
WIDTH:	1500 mm
TOTAL HEIGHT:	759 mm
TOTAL WEIGHT:	128 kg
SAFETY ZONE:	Ø 5500 mm
AGE GROUP:	3-12 yrs
FREE FALL HEIGHT:	442 mm
IN COMPLIANCE WITH STANDARD:	PN-EN 1176-1:2017-12, PN-EN 1176-5:2020-03
AVAILABILITY OF SPARE PARTS:	YES
PRODUCT GROUP:	COMMERCIAL PLAYGROUND
THE HEAVIEST COMPONENT	CAROUSEL CORPUS – 116 kg
THE BIGGEST COMPONENT	CAROUSEL CORPUS– 800 x 1500 1500mm



Material specification:

Steel floor construction hot-dip galvanized and powder coated.

Upper steel construction covered with zinc primer and powder coated / optionally stainless steel.

Checker aluminium sheet floor thickness 2mm/ optionally anti-slippery HPL board thickness 8 mm / 10 mm.

Seat made of anti-slippery HPL board thickness 8 mm / 10 mm.

All fasteners made of stainless steel.

Surface specification according to PN-EN 1176-1:2017-12:

The product requires the use of a safety surface suitable for falls from a height of up to 0.6 meters and with forced movement. Turf, soil, bark (size from 20-80 mm), wood chips (size 5-30 mm), sand or gravel (grain size 0.25-8 mm), other materials in accordance with EN 1177 - minimum thickness for all loose surfaces is 200 mm. For loose unbound material, add 100 mm to the minimum depth to compensate for displacement.