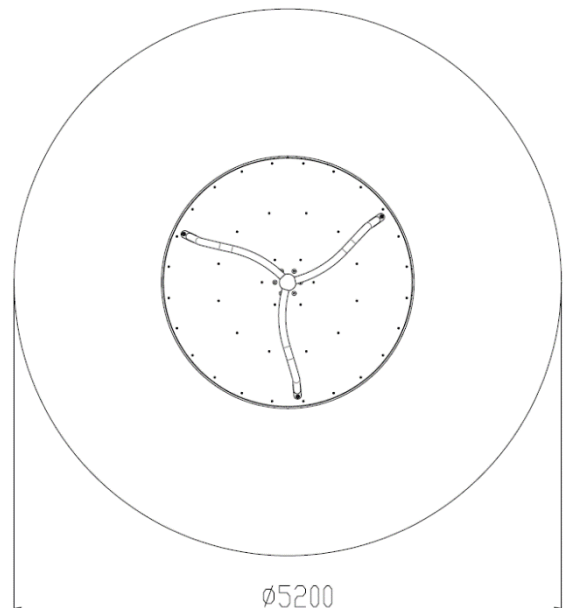
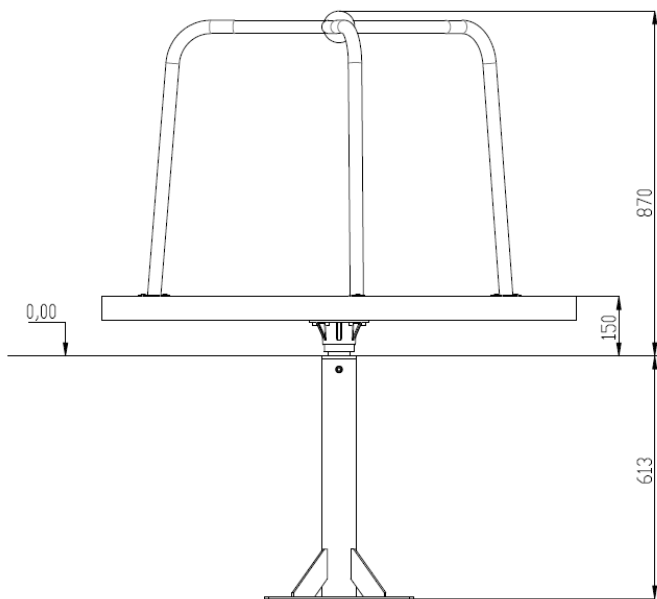


THREE ARM CAROUSEL SYMBOL: CTR-05 (with rifled aluminium sheet floor)

Technical specification:

LENGTH:	1200 mm
WIDTH:	1200 mm
TOTAL HEIGHT:	870 mm
TOTAL WEIGHT:	73 kg
SAFETY ZONE:	Ø 5200 mm
AGE GROUP:	3-12 lat
FREE FALL HEIGHT:	150 mm
IN COMPLIANCE WITH STANDARD:	PN-EN 1176-1:2017-12, PN-EN 1176-5:2020-03
AVAILABILITY OF SPARE PARTS:	YES
PRODUCT GROUP:	COMMERCIAL PLAYGROUND
THE HEAVIEST COMPONENT	Carousel corpus – 57 kg
THE LARGEST COMPONENT	Carousel corpus – 780 x 1200 x 1200



Material specification:

Steel floor construction hot-dip galvanized and powder coated/ optionally stainless steel.

Upper steel construction covered with zinc primer and powder coated / optionally stainless steel.

Checker aluminium sheet floor thickness 2mm/ optionally anti-slippery HPL board thickness 8 mm / 10 mm.

All fasteners made of stainless steel.

Surface specification according to PN-EN 1176-1:2017-12:

Product requires the use of safety surface adapted to fall from a height of at least 1 meter: turf, soil, bark (size 20-80 mm), wood chips (size 5-30 mm), sand or gravel (grain size 0.25-8 mm), synthetic surface (thickness 42 mm) - minimum thickness for all loose surfaces is 20 cm. For loose unbound material, add 100 mm to the minimum depth to compensate for displacement.