



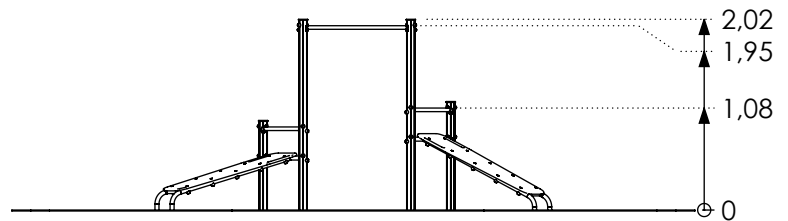
Aluminum round  
profile  $\varnothing 89$  mm

# Product Datasheet

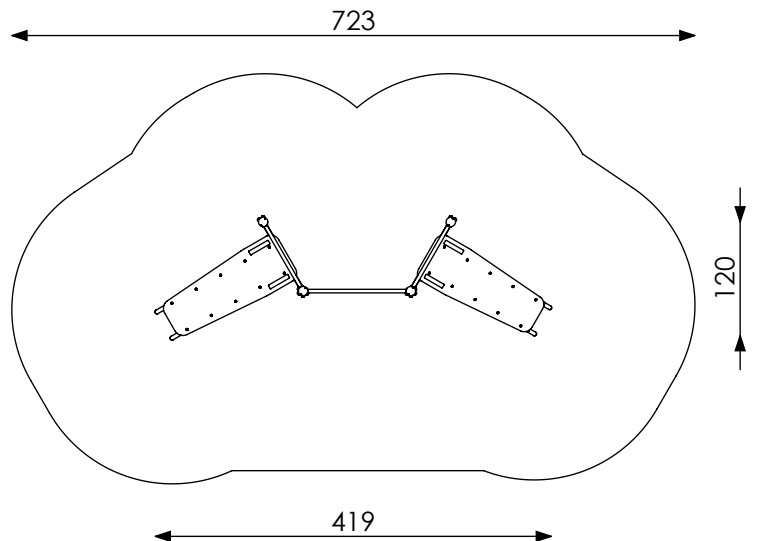
## Street Workout PZA R4010



[m]



[cm]



Maximum weight of user: 140 kg

Safety zone: 434 x 723 cm (25,2 m<sup>2</sup>)

Free fall height: 108 cm

Weight of the device: 90 kg

Dimension of the biggest part: 267x8,9x8,9 cm

Product compliant with PN-EN 16630: YES

Spare parts availability: YES

## Mounting:

The set is mounted in the ground.  
Foundations made of C20/25 concrete.

## Material specification:

- Construction poles made from aluminum round profiles  $\varnothing 89$  mm with anodized finish.
- Bars  $\varnothing 38$  and  $\varnothing 42,4$  mm, powder coated with a zinc primer.
- Top of the poles secured by cap made from HDPE.
- Screws, bolts etc. covered by colorful plugs from plastic.

Renders are for reference only, actual appearance may differ from the one shown on the render.

### Acceptable shock absorbing surfaces and their minimum thickness

Material	Description [mm]	Minimum depth [cm]	Maximum free heights of fall [cm]
Concrete/stone /bituminous surfaces	-	-	$\leq 100$
Outer soil layer	-	-	$\leq 120$
Turf	-	-	$\leq 150$
Bark	20 to 80 particle size	30	$\leq 200$
		40	$\leq 300$
Woodchip	5 to 30 particle size	30	$\leq 200$
		40	$\leq 300$
Sand or gravel	0,2 to 8 grain size	30	$\leq 200$
		40	$\leq 300$
Other materials	As tested according to EN 1177		Critical fall height as tested