

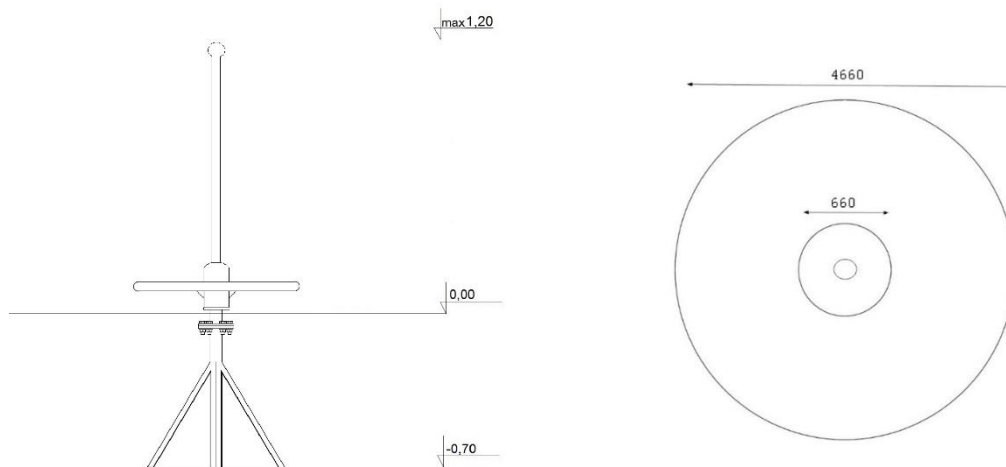
TECHNICAL CARD

CAROUSEL „TWIST” - 01



Color variants:

STANDARD	ANTHRACITE	YELLOW	GREEN	BLUE	INOX



Device height: 120 cm

Device diameter: Ø 66 cm

Safety zone: Ø 466 cm


Age group: 3-15 lat

Free fall height: 20 cm

Shock-absorbing surface: The product requires a safe surface adapted to a fall from the height of at least 1 meter. Turf, soil, bark (size from 20-80 mm), wood chips (size 5-30 mm), sand or gravel (grain size 0.25-8 mm), synthetic surface (thickness 42 mm), minimum thickness for all loose surfaces is 20 cm.

Cerified device: Device produced in accordance with PN-EN 1176:1-2017-12, PN-EN 1176-5:2009

The presented drawing is for demonstration purposes only and may slightly differ from the actual product.

Producer:	Product name:	Symbol:	Description:	Weight:	Date:
TRIBECCO Magdalena Kozłowska Wyrów 7A NIP:968-092-38-71 Tel /fax:+48627528370 biuro@tribecco.pl 	CAROUSEL „TWIST” -01	KTR-07	<u>Construction:</u> steel tubes and sections, coated with zinc base and powder paint <u>Base/Floor:</u> aluminium checker plate, thickness 3mm	40 kg	02/2021