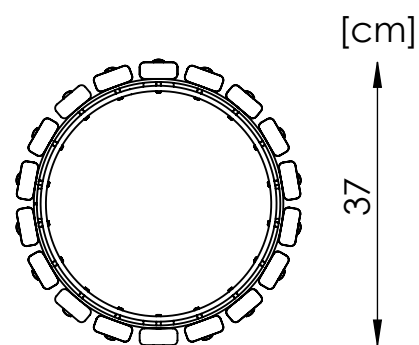
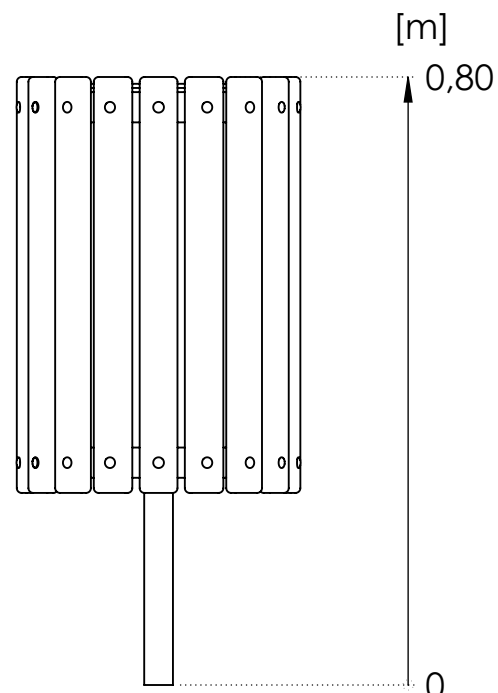


# Product Datasheet

## Trash bin KP-01



### Materials used:

- Construction of trash bin is made of a  $\varnothing 38$  mm steel pipe and 4x40 flat bars mm hot dip galvanized.
- Trash bin housing made of pressure -impregnated boards.
- 32 liter steel trash bin housing.
- fasteners: hardened galvanized screws, self-locking nuts.

### Assembly:

The set is mounted in the ground using hot-dip galvanized steel anchors.  
Foundations made of C20/25 class concrete.