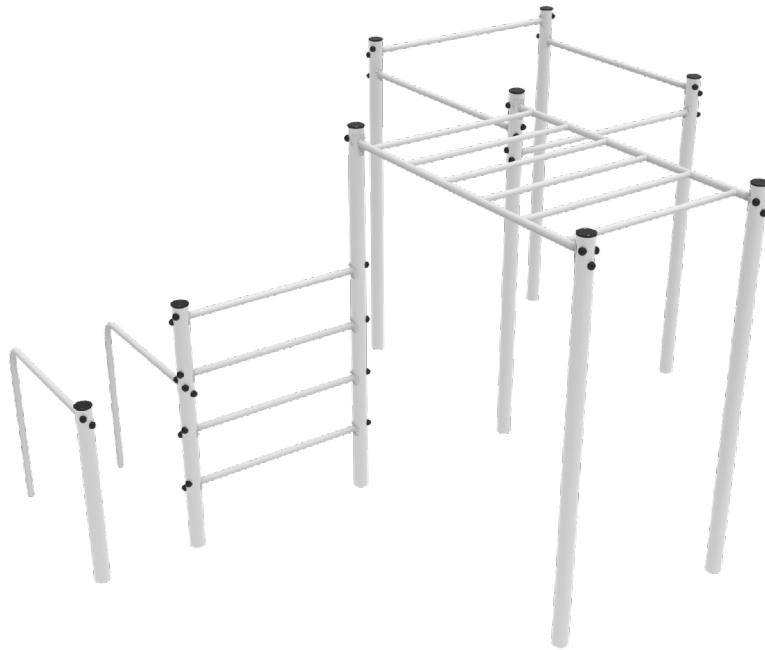


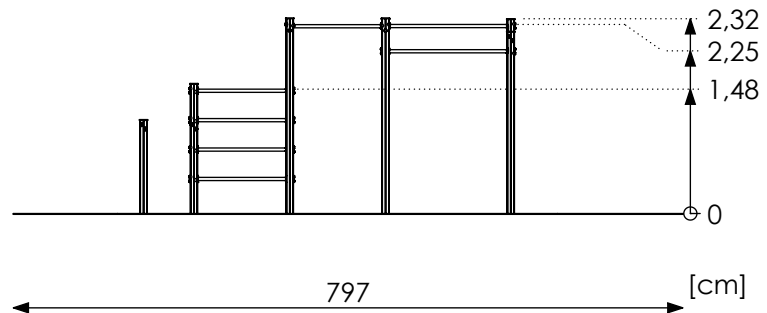
Aluminum round
profile $\varnothing 89$ mm

Product Datasheet

Street Workout PZA R4021



[m]



Maximum weight of user: 140 kg

Safety zone: 748 x 797 cm (46,4 m²)

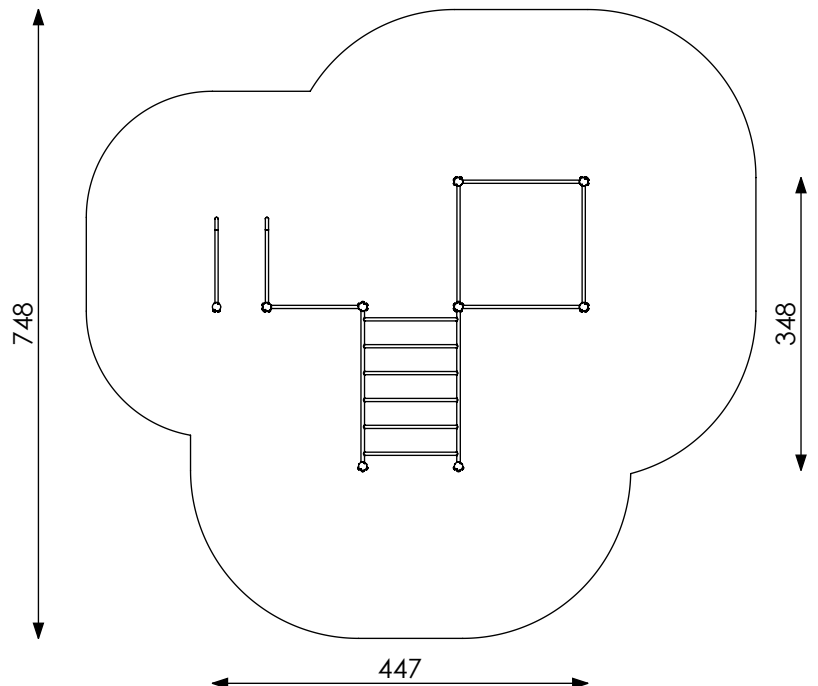
Free fall height: 148 cm

Weight of the device: 140 kg

Dimension of the biggest part: 296x8,9x8,9 cm

Product compliant with PN-EN 16630: YES

Spare parts availability: YES



Mounting:

The set is mounted in the ground.
Foundations made of C20/25 concrete.

Material specification:

- Construction poles made from aluminum round profiles $\varnothing 89$ mm with anodized finish.
- Bars $\varnothing 38$ mm and $\varnothing 42,4$ mm, powder coated with a zinc primer.
- Top of the poles secured by cap made from HDPE.
- Screws, bolts etc. covered by colorful plugs from plastic.

Renders are for reference only, actual appearance may differ from the one shown on the render.

Acceptable shock absorbing surfaces and their minimum thickness

Material	Description [mm]	Minimum depth [cm]	Maximum free heights of fall [cm]
Concrete/stone /bituminous surfaces	-	-	≤ 100
Outer soil layer	-	-	≤ 120
Turf	-	-	≤ 150
Bark	20 to 80 particle size	30	≤ 200
		40	≤ 300
Woodchip	5 to 30 particle size	30	≤ 200
		40	≤ 300
Sand or gravel	0,2 to 8 grain size	30	≤ 200
		40	≤ 300
Other materials	As tested according to EN 1177		Critical fall height as tested